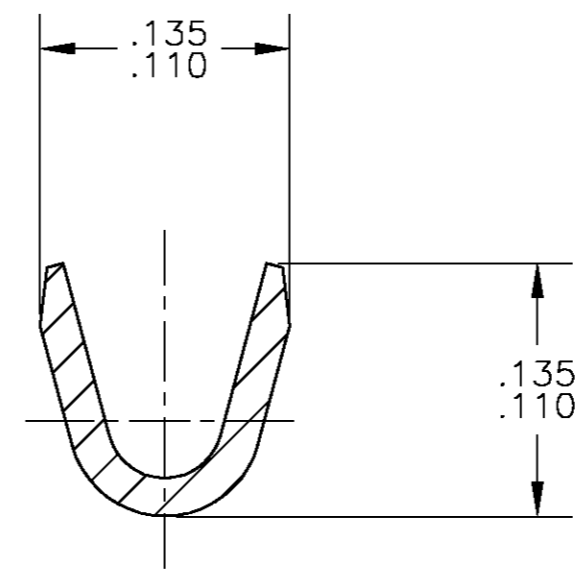
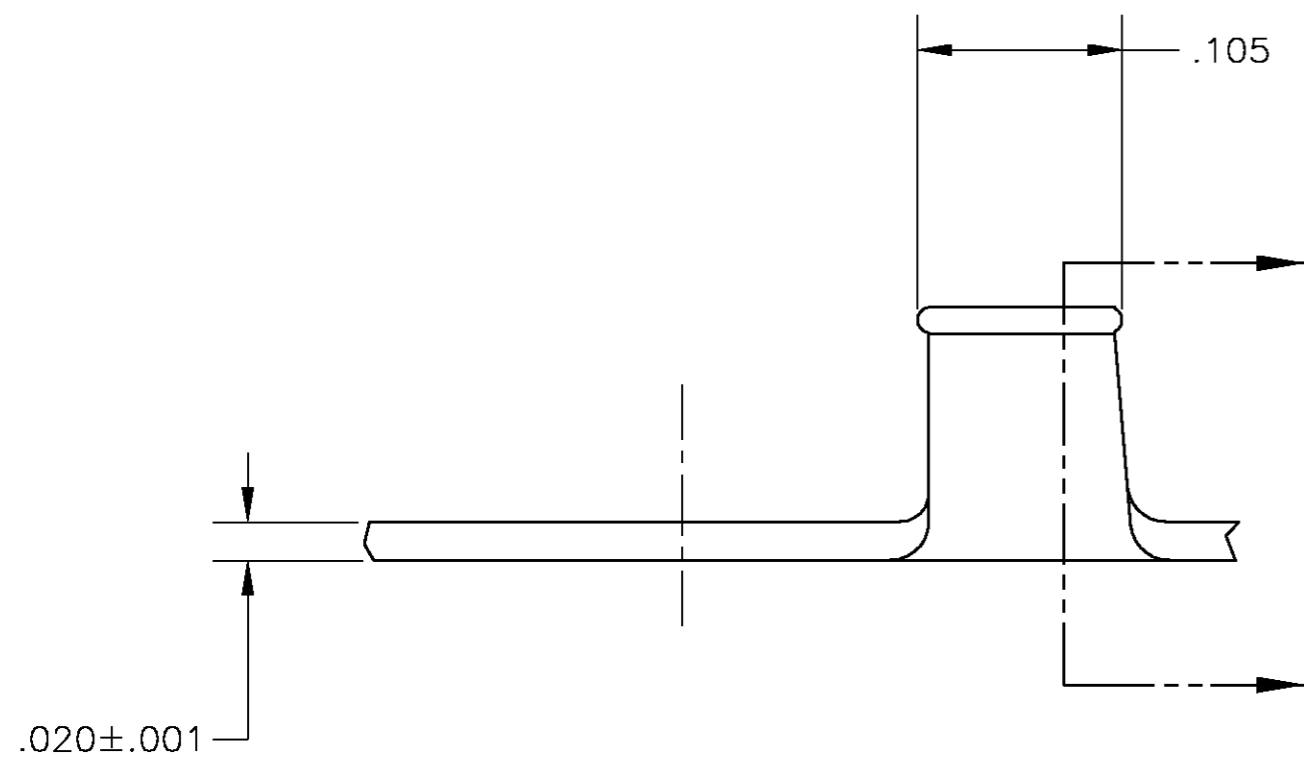
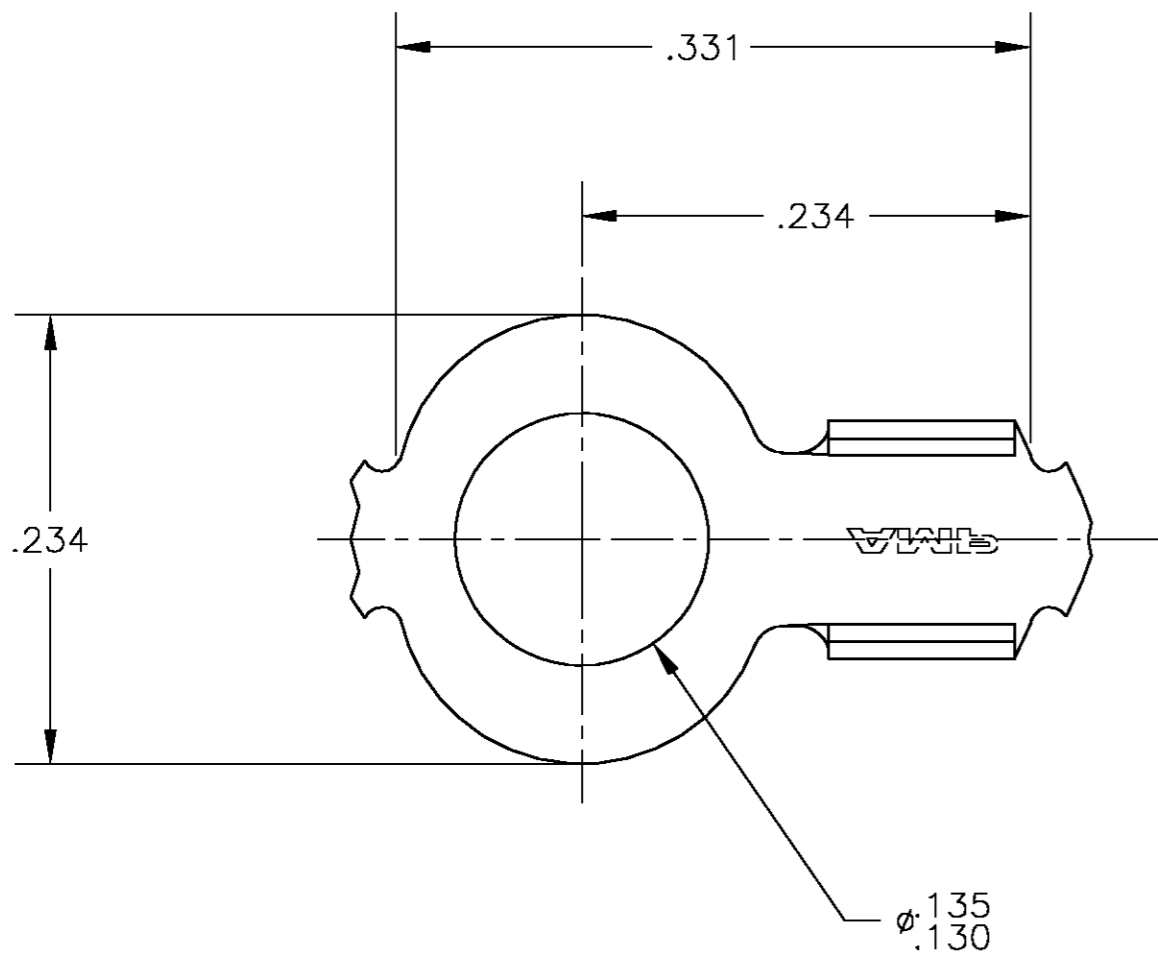


THIS DRAWING IS UNPUBLISHED. RELEASED FOR PUBLICATION
 © COPYRIGHT BY TYCO ELECTRONICS CORPORATION. ALL RIGHTS RESERVED.

LOC		DIST		REVISIONS			
P	LTR	DESCRIPTION	DATE	DWN	APVD		
AF	50	G	REDRAWN PER OG3A-XXXX-03	17JUN03	MF	DD	

- 1 CONTINUOUS STRIP ON REELS.
- 2 WIRE RANGE: #20-#16 AWG.



34578
 PART NUMBER

THIS DRAWING IS A CONTROLLED DOCUMENT.		DWN MICHAEL S. FEHER 17JUN2003	Tyco Electronics Corporation Harrisburg, PA 17105-3608																									
DIMENSIONS: INCHES		CHK DONALD F. DECKER 17JUN2003	NAME TERMINAL, RING																									
TOLERANCES UNLESS OTHERWISE SPECIFIED:		APVD DONALD F. DECKER 17JUN2003	PRODUCT SPEC -																									
<table border="1"> <tr><td>0</td><td>PLC</td><td>±</td><td>-</td></tr> <tr><td>1</td><td>PLC</td><td>±</td><td>-</td></tr> <tr><td>2</td><td>PLC</td><td>±</td><td>-</td></tr> <tr><td>3</td><td>PLC</td><td>±</td><td>.010</td></tr> <tr><td>4</td><td>PLC</td><td>±</td><td>-</td></tr> <tr><td colspan="2">ANGLES</td><td>±</td><td>-</td></tr> </table>		0	PLC	±	-	1	PLC	±	-	2	PLC	±	-	3	PLC	±	.010	4	PLC	±	-	ANGLES		±	-	APPLICATION SPEC -	RESTRICTED TO -	
0	PLC	±	-																									
1	PLC	±	-																									
2	PLC	±	-																									
3	PLC	±	.010																									
4	PLC	±	-																									
ANGLES		±	-																									
MATERIAL 082 BRASS	FINISH -	WEIGHT -	SIZE A2	CAGE CODE 00779																								
CUSTOMER DRAWING		DRAWING NO C=34578	SCALE 10:1																									
		SHEET 1 OF 1		REV G																								